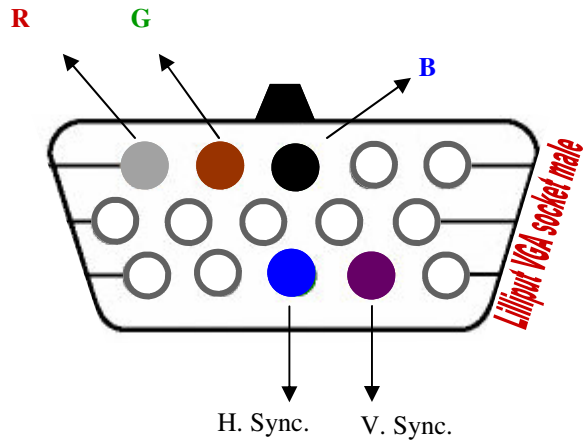


Lilliput VGA cable Pin-Out

VGA9-MDIN



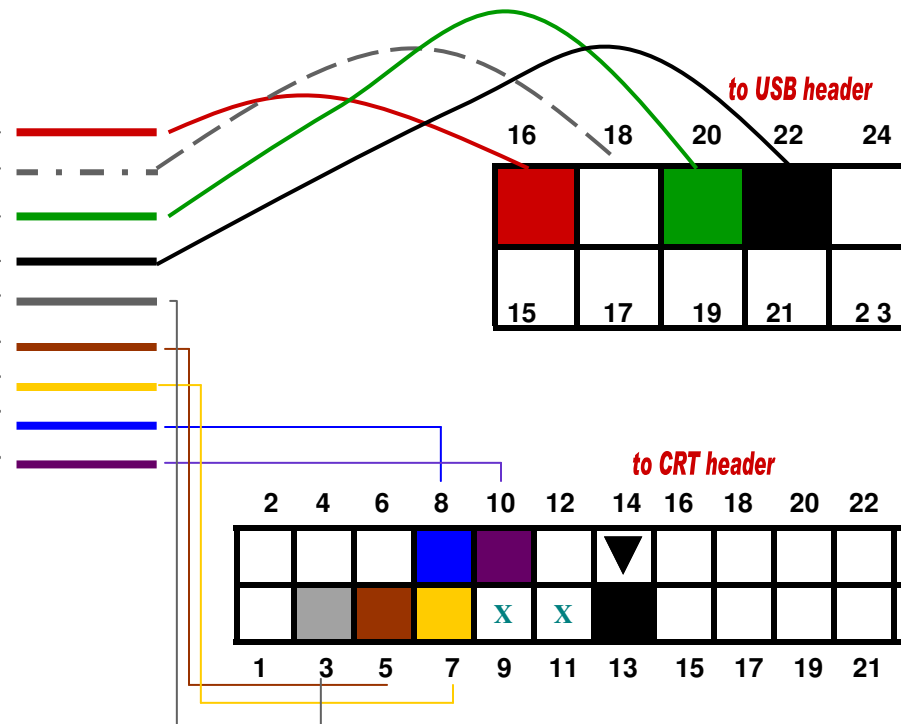
The VGA connector uses 5 basic signals to control the LCD panel:
 RED, GREEN, BLUE, VERTICAL SYNCHRONIZATION AND HORIZONTAL SYNCHRONIZATION.

RED: VCC
WHITE: D-
GREEN: D+
BLACK: GROUND

PIN	SIGNAL
1	
2	
3	RED
4	
5	GREEN
6	
7	BLUE
8	H.SYNC.
9	GND
10	V.SYNC.
11	GND
12	
13	GND
14	KEY



Mini Din 9 Pin Female Connector



Please use this connector at your own risk.