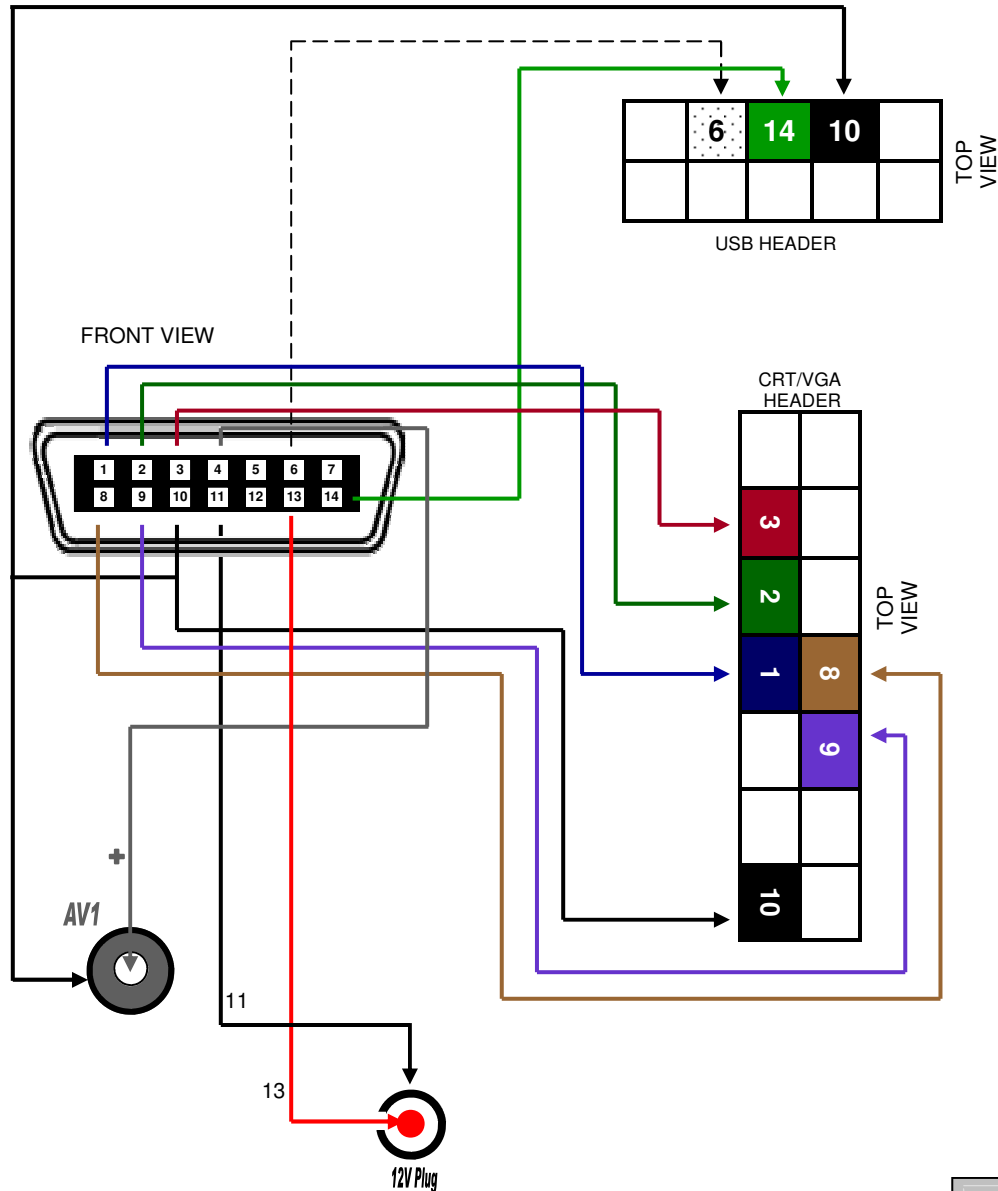


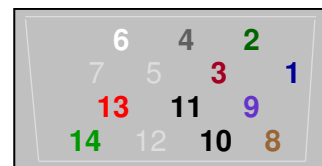
# MDR14-BO

BREAK OUT  
CABLE ADAPTER



MDR POSITION	CABLE COLOR	SIGNAL	VIA HEADER POSITION
1	Blue	AB	CRT 7
2	Green	AG	CRT 5
3	Red	AR	CRT 3
4	Grey	AV2 +	
5	N/A	AV1 +	
6	Green with dots	USB D-	USB 18
7	N/A	AUDIO IN +	
8	Brown	HSYNC	CRT 8
9	Purple	VSYNC	CDT 10
10	Black	GROUND	CRT 10 USB 22
11	Black	GROUND	
12	N/A	12V+	
13	Red	12V+	
14	Green	USB D+	USB 20

REAR VIEW  
MDR CONNECTOR



THIS BREAK OUT CABLE IS INTENDED TO REPLACE THE SKS CABLE PROVIDED WITH THE LILLIPUT EBY701, 629GL & 669GL.  
THE USB CONNECTOR MAY CAUSE PROBLEMS WITH THE VIA N SERIES BOARDS AS THERE IS A KNOWN COMPATIBILITY ISSUE BETWEEN THE LILLIPUT TOUCH CONTROLLER AND THE VIA N SERIES MAIN BOARDS.  
THIS ISSUE CAN BE SOLVED BY USING A 3RD PARTY USB TOUCH CONTROLLER.

This cable pin out should be used at your own risk.  
Please check with your device manufacturer to confirm the signal position.

BYBYTE INFOTAINMENT SOLUTIONS